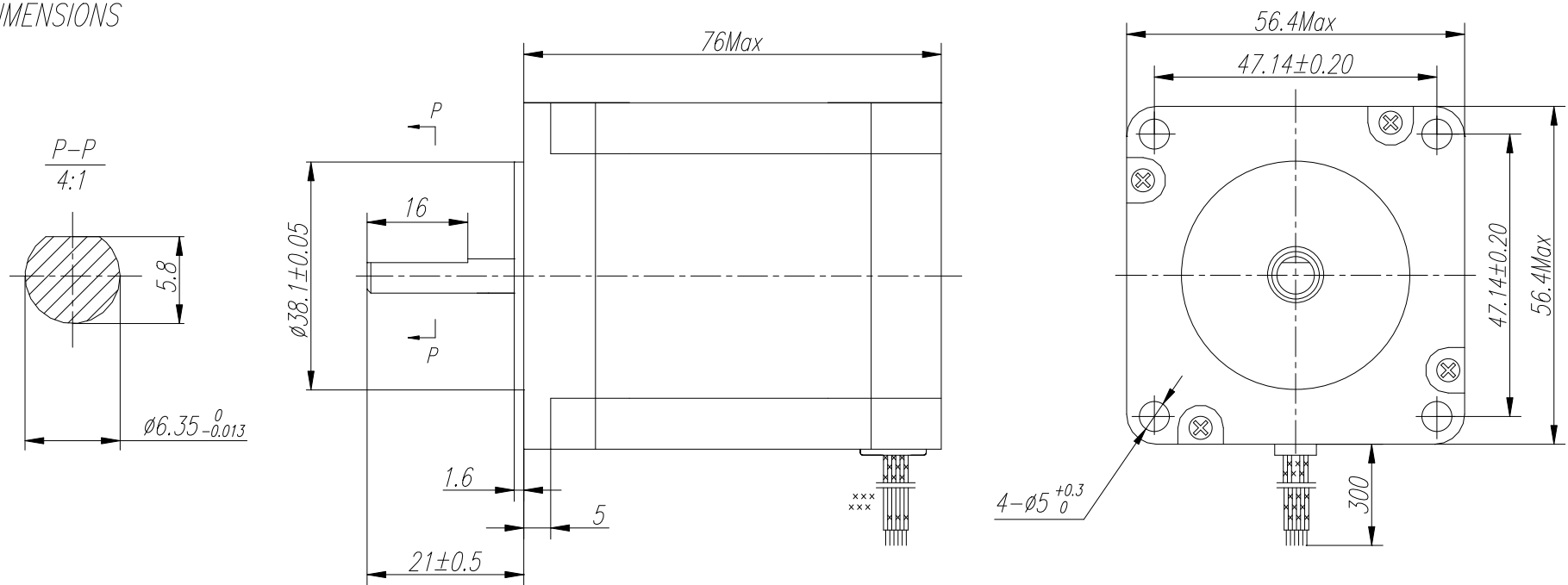


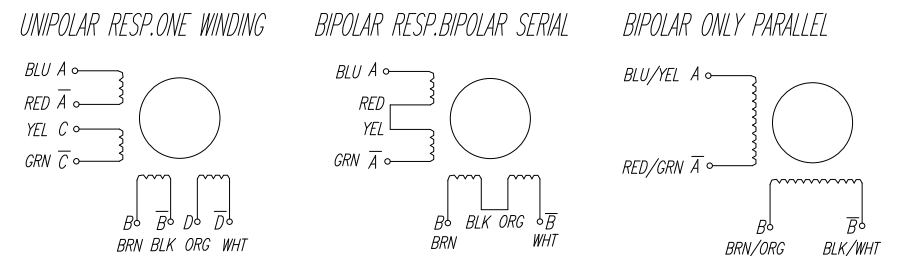
□ DIMENSIONS



□ SPECIFICATIONS unit=mm

PHASE	2	PHASE	
STEP ANGLE	1.8±5%	°/STEP	
DETENT TORQUE	6	N.cm Max	
INSULATION CLASS	B		
LEAD STYLE	AWG22 UL1007		
		UNIPOLAR RESP.ONE WINDING	BIPOLAR RESP.BIPOLAR SERIAL
CURRENT	3.0	A/PHASE	2.12 A/PHASE
RESISTANCE	1.0 ±10%	Ω/PHASE	2.0 ±10% Ω/PHASE
INDUCTANCE	1.8 ±20%	mH/PHASE	7.2 ±20% mH/PHASE
HOLDING TOGQUE	142	N.cm Min	200 N.cm Min

□ COLORS OF LEAD WIRES BIPOLAR & UNI-POLAR



DATE 20080111
EDIT A

57HZ76-13

SPECIFICATION

REV	QTY.	NO.	SIG.	DT.	CLS.MAK	WEIGHE	SCALE
DESIGN		20080111					
PROC.			APPR.		EDIT.		OF PAGES

签字

打印日期

