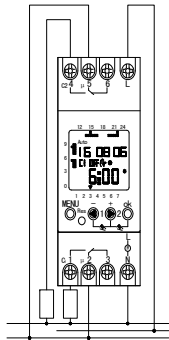


2-channel 7 day timers



According to version
preprogrammed with the
current time and
Summer/winter norm time

Safety Information

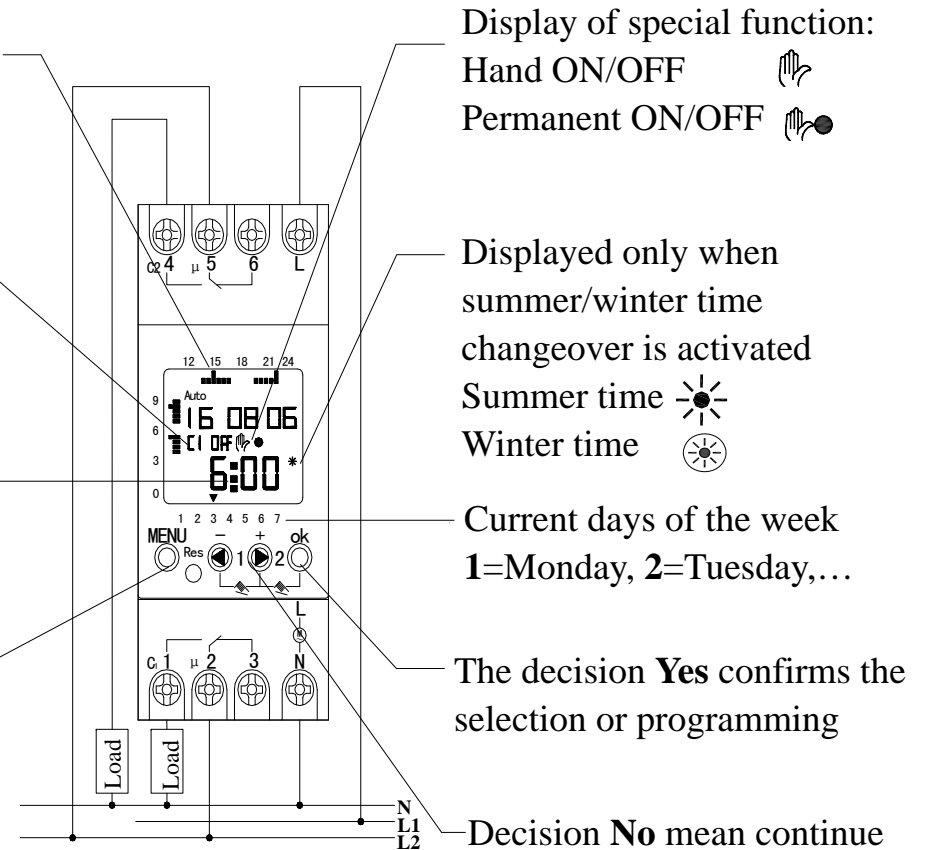
The connection and installation of electrical must be performed by a skilled electrician only. Any intervention into or modifications to the appliance shall lead to the lapse of all warranty rights. Comply with your national regulations and all relevant safety stipulations.

Overview per day of the
Programmed switching
times
3=Wednesday

Channel statuses
C1 or C2 are displayed
alternately **On/OFF**

Service voltage ok:
Two flashing dots
Power reserve mode:
Three flashing dots

Selection
e.g: Auto、 Prog、 ⌚、
Man、
Abort input



First contact

Info

The timer is delivered in so-called sleep mode. To increase the power reserve the switch clock changes to the sleep mode after approx. 10 minutes.

To activate without a service voltage

Briefly press the **Menu** key.

Activate with mains voltage

If the timeswitch is already pre-programmed with the actual time, the weekday, and the changeover setting for Summer/Winter time, the actual time and status display appears after selection of the National language.

If the timer is not pre-programmed

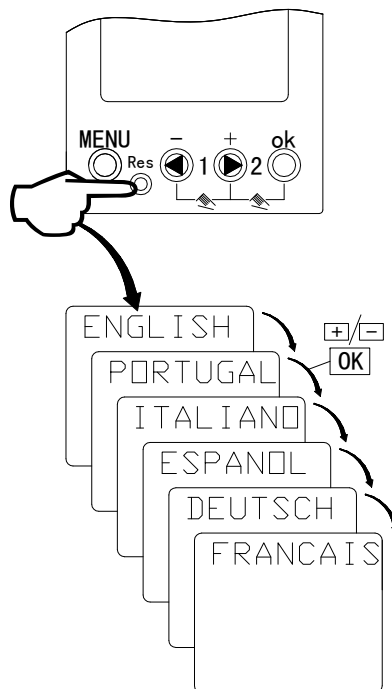
First select your national language and then enter the actual date and time.

Activate the clock,

Select the national language

By pressing the \oplus or \ominus keys. select your national language.

Store your selection by pressing the **OK** key.



Ok The decision **Yes**.confirms the selection or programming.

+ The decision No,means continue.

Set or amend by pressing the

\oplus or \ominus keys.

For programming, viewing, amending or deleting

First of all read the text display.

Menu selection

Select by pressing the **Menu Prog** key. Confirm by pressing **OK**.

By pressing the \oplus key select the desired menu.

e.g. New, View ,Amend or Delete.

Confirm your selection by pressing **OK**.

Set or change:by pressing \oplus or \ominus .

Store by pressing **OK**.

To display the switching times:

In the menu View, press the **OK** key several Times.

RESET(only in case emergency):If you perform a RESET of the timer, the individual settings will be deleted. The programmes switching times remain intact. Press the **Res** key with and a pointed object for approx.1 second.

Programming the switching time

Switching times for lighting systems, machines, ventilation systems, alarm systems etc.

Formation of day groups

If the same switching times are active on several days of the week, they occupy just **one** memory location.

44 memory locations are available.

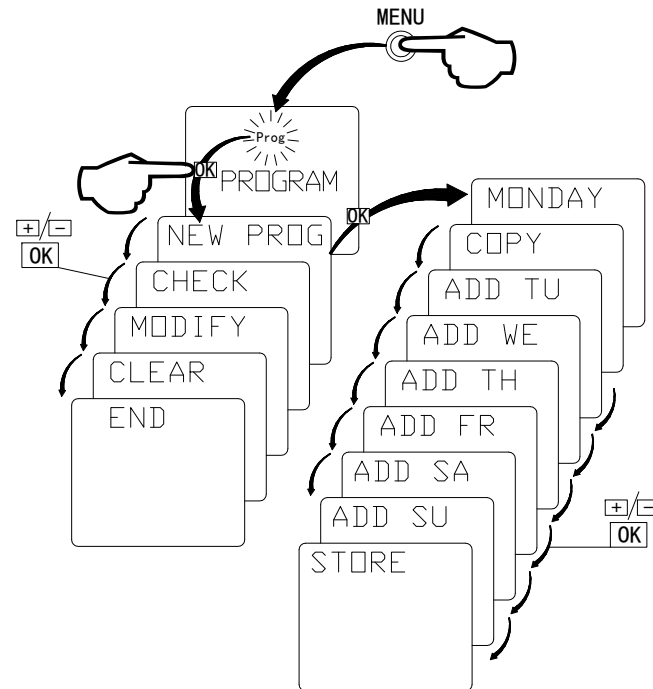
Group formation

In answer to text question

Copy, decide by pressing the **OK** Key that the day program should be copied to another day of the week .

The **Mixed programming** of switching ,pulse and cycle times is allowed.

When programming an ON and OFF switching time, e.g. Monday 9 AM, It is always the programme the last setting is executed.



Example: Switching on the lighting of a sports hall on Mon, Tues, Fri. from 8.30h until 12h.

Programming example

Select **Prog** by pressing the **Menu** key.

Store your selection by pressing the **OK** key.

Select **New** by pressing \oplus or \ominus .

Store your selection by pressing the **OK** key.

Select channel **C1** or **C2** by pressing \oplus or \ominus .

Store your selection by pressing **OK** .

Select **ON/OFF** by pressing \oplus or \ominus .

Store your selection by pressing **OK** .

Set the hours and minutes by pressing the \oplus or \ominus key.

Store selection by pressing **OK**.

To store one day of the week only

Select weekday by pressing \oplus or \ominus .

Select store by pressing \oplus .

Store by pressing **OK** .

To copy to other days of the week

Store **COPY** by pressing **OK**.

Select weekday by pressing \oplus or \ominus .

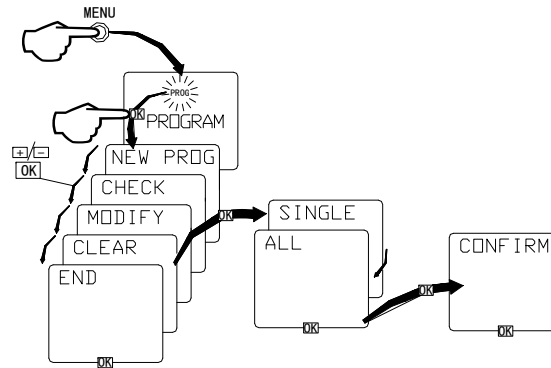
Store by pressing **OK**.

To leave out a day of the week ,skip by pressing the \oplus key.

Finally select the **store** display by pressing \oplus .

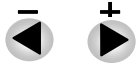
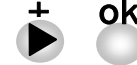






Store your selection by pressing **OK** .

Individual deletions



Override Permanent ON or OFF

Via the automatic menu **Auto** only

+	 Channel C1	 Channel C2
Press the two Key for approx. 1 s.	Manual preselection: Press keys simultaneously Channel C1 switches alternately ON or OFF. Symbol  appears. Manual preselection is corrected again by the stored program.	Manual preselection: Press keys simultaneously ChannelC2 switches alternately ON or OFF. Symbol  appears. Manual preselection is corrected again by the stored program.
Press the two Key for approx. 2 s.	Permanent ON  OFF 	Permanent ON  OFF 
Cancellation of manual preselection/permanent switching: Briefly press the keys shown above.		

Setting/correcting the date and time

Summer/winter time

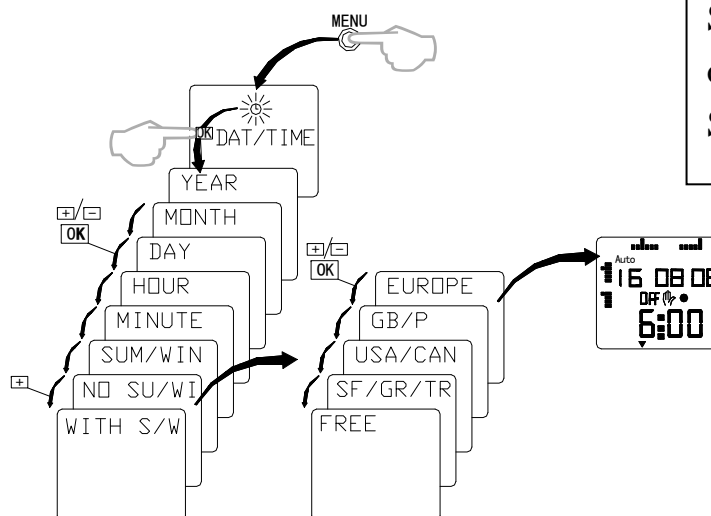
Automatic summer/winter time correction

According to version the timer is pre-programmed ex-works complete with the change-over. Should you switch off the automatic facility or wish to alter it, first of all read the text display .
Select by pressing \oplus or \ominus .
Store by pressing **OK**.

Free Prog to select sum/win change-over other than EUR-GB –USA.

Select sum/win ,and after with sum/win.
Store with **OK**.

Select rule FREE-with buttons \oplus or \ominus .
Input month and weeks for sum/win.
Store with **OK**.



Read the text display first of all.

Select by pressing the \oplus key or \ominus keys.
Store by pressing the **OK** key.

Note: In sum/Win free Prog the time change is set automatically at Sunday 2 AM.
Time change is not available.

Common technical specifications

Rated voltage: 230-240V~+6%-10%

Frequency: 50-60Hz

Own consumption: max. 7.5 VA

Contact: zero-potential, gap less than 3mm

Switching power : 16A, 250V~, $\cos\phi=1$;

10A, 250V~, $\cos\phi=0.6$

Incandescent lamp load: 2300 W

Halogen lamp load: 2300 W

Timing basic: quartz

Working precision: $\leq \pm 1$ sec./day at 20°C

Shortest switching time: 1 minute

Display: LCD display with text line

Operating control elements: 4 touch keys and 1 reset key

Power reserve: approx. 4 years with display with full controllability (temp. 20°C) by means of an environmentally friendly lithium battery

Permissible ambient temperature:

-10°C...+ 50°C

Weight: approx. 170 g

Dimension drawings

