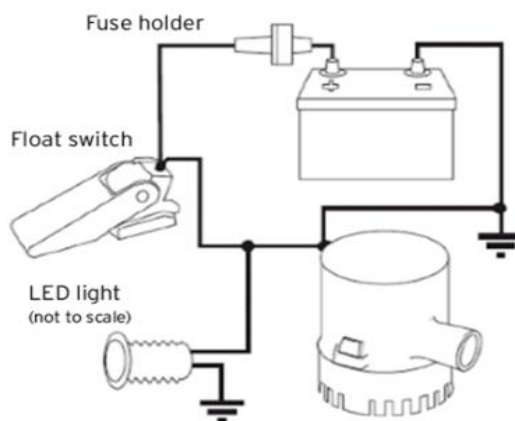
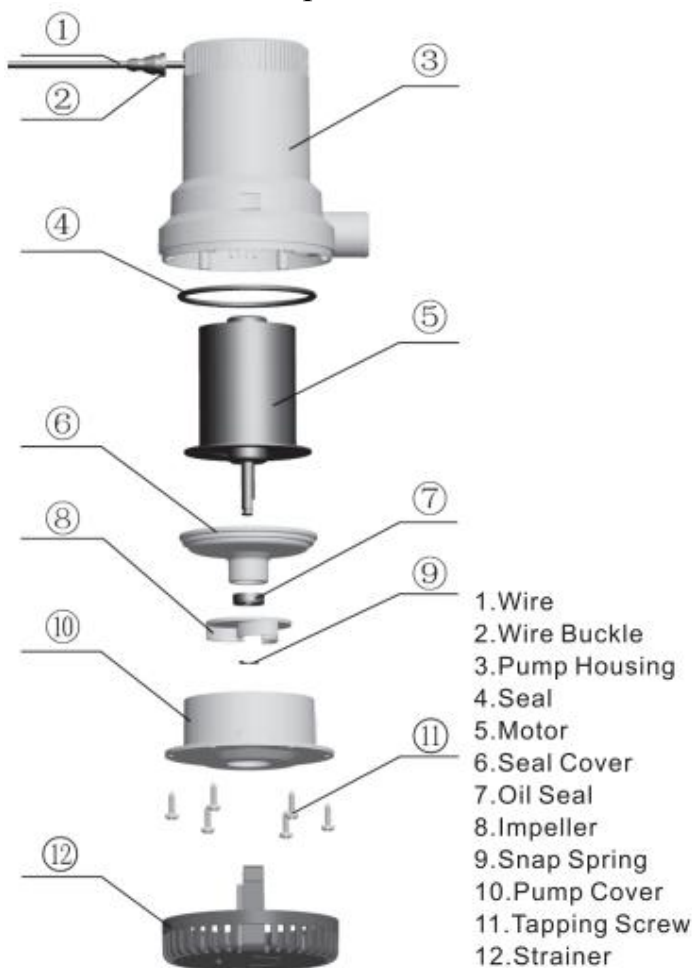


# XIAMEN USAIL INDUSTRY AND TRADE CO., LTD



## Non-Automatic Bilge Submersible Pumps

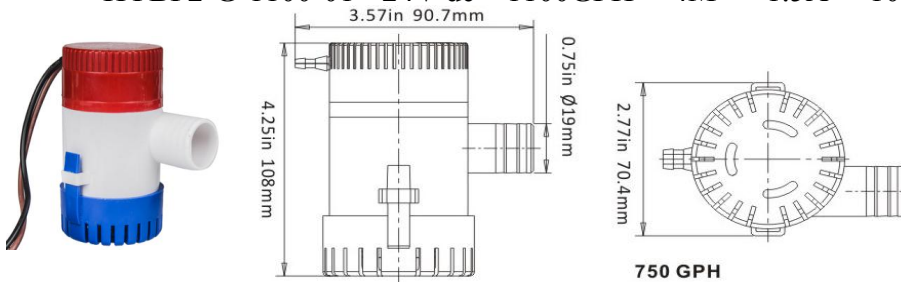
Sailflo Non-Automatic Submersible Electric Bilge Pump offers great performance at a value price. Sailflo submersible pumps' motors feature stainless-steel shafts, water cooling and vibration-free centrifugal impellers that won't burn out if run dry. Strainer bases can easily be snapped off for cleaning. Each pump requires a panel switch for manual operation or a float switch for automatic operation.



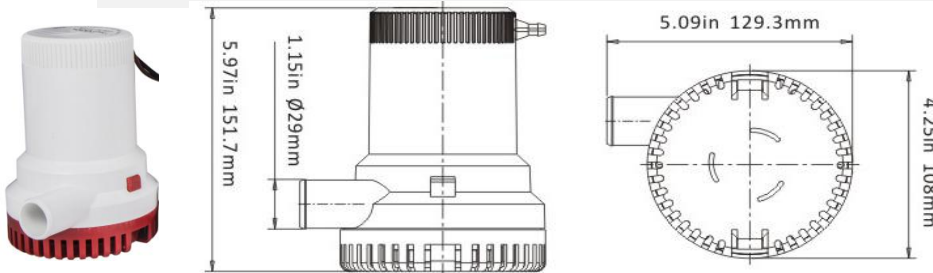
Model	Dimension(pc)	Carton Dimension
YM350—YM1100	10 X 9 X 11.8cm	52 X 38 X 26.4cm (40pcs)
YM1500--YM2000	15.3 X 11 X 13cm	58.5 X 32 X 28.5cm(20pcs)
YM3000—YM3700	16.3X15.5X23.5cm	63.5 X 34 X 26.2cm (8pcs)

## Technical data:

Model	Volt	Flow rate	Head	Current	Wire	Outlet Dia
HYBP1-G-350-01	12V dc	350GPH	3M	1.8A	100cm	19mm
HYBP2-G-350-01	24V dc	350GPH	3M	1.0A	100cm	19mm
HYBP1-G-500-01	12V dc	500GPH	3M	2.2A	100cm	19mm
HYBP2-G-500-01	24V dc	500GPH	3M	1.2A	100cm	19mm
HYBP1-G-750-01	12V dc	750GPH	4M	2.5A	100cm	19mm
HYBP2-G-750-01	24V dc	750GPH	4M	1.5A	100cm	19mm
HYBP1-G-1100-01	12V dc	1100GPH	4M	3.0A	100cm	29mm
HYBP2-G-1100-01	24V dc	1100GPH	4M	1.5A	100cm	29mm



Model	Volt	Flow rate	Head	Current	Wire	Outlet Dia
HYBP1-G-1500-01	12V dc	1500GPH	5M	7.0A	100cm	29mm
HYBP2-G-1500-01	24V dc	1500GPH	5M	5.0A	100cm	29mm
HYBP1-G-2000-01	12V dc	2000GPH	6M	8.0A	100cm	29mm
HYBP2-G-2000-01	24V dc	2000GPH	6M	5.5A	100cm	29mm



Model	Volt	Flow rate	Head	Current	Wire	Outlet Dia
HYBP1-G-3000-01	12V dc	3000GPH	8M	10.0A	100cm	40mm
HYBP2-G-3000-01	24V dc	3000GPH	8M	6.0A	100cm	40mm
HYBP1-G-3500-01	12V dc	3500GPH	8M	12.0A	100cm	40mm
HYBP2-G-3500-01	24V dc	3500GPH	8M	8.0A	100cm	40mm
HYBP1-G-3700-01	12V dc	3700GPH	8M	16.0A	100cm	40mm
HYBP2-G-3700-01	24V dc	3700GPH	8M	10.0A	100cm	40mm

