

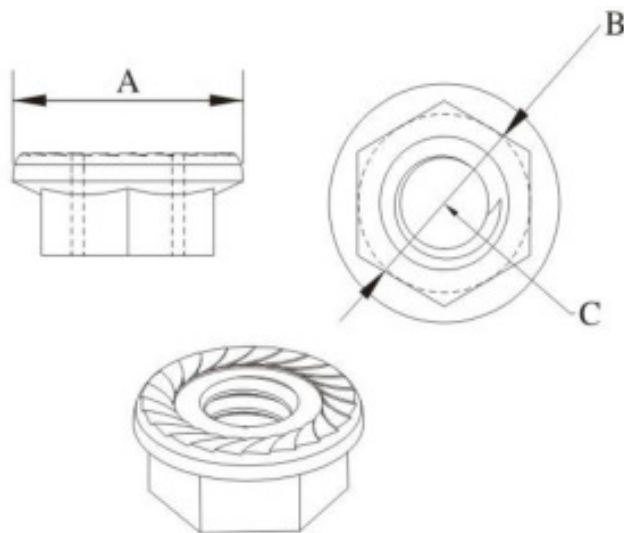
# FLANGE NUT- SY-M6



**Material: Carbon Steel**

**Surface Treatment: Nickel Plating**

**Dimension:**



**A=13mm    B=9.8mm    C=M6**