



SG-555123000 Series

(12VDC LOW NOISE LONG LIFE)

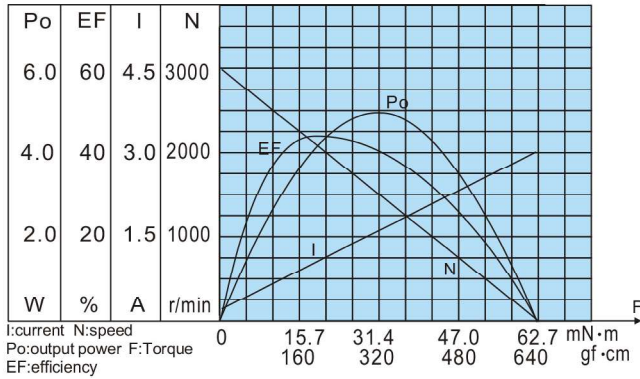
DC GEARED MOTOR

OUTPUT POWER: 2.9W(APPROX)

WEIGHT: 350~400g(APPROX)

Typical applications: Labal printers, auto shutter, automatic stabilized voltage supply, grill, oven, cleaning machine, garbage disposers, household appliances, slot machines, money detector, automatic actuator, coffee machine, towel disposal, lighting, coin refund devices, peristaltic pump.

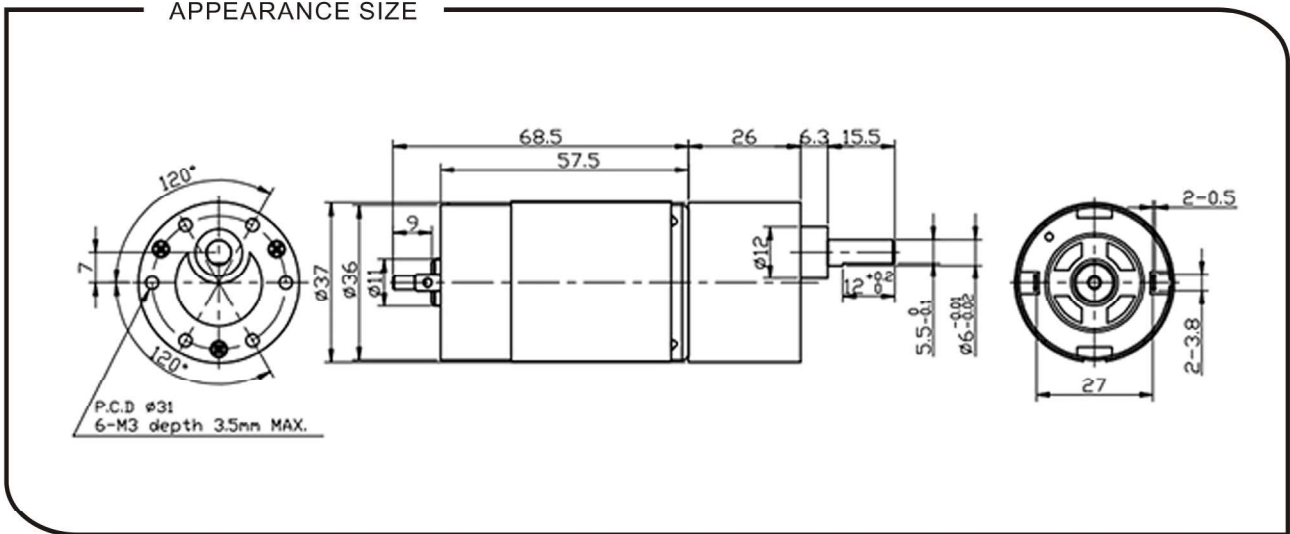
MOTOR CHARACTERISTICS



MOTOR TORQUE/SPEED/CURRENT

Rated voltage	12VDC
No load speed	3000r/min
No load current	140mA
Rated torque	190gf · cm 15.7mN · m
Rated current	800mA
Rated speed	2200r/min
Stall torque	640gf · cm 62.7mN · m
Stall current	3000mA

APPEARANCE SIZE



GEARED MOTOR TORQUE/SPEED/CURRENT

Geared motor name	Rated Volt. V	No load		Load torque				At maximum efficiency		Output power W	Number of gear trains	Gearbox length "L" mm
		Current mA	Speed r/min	Current mA	Speed r/min	Torque		Kg · cm	N · m			
						Kg · cm	N · m					
SG-555123000-10K	12	≤140	300	≤800	220	1.3	0.13	4	0.39	2.9	2	23
SG-555123000-20K	12	≤140	150	≤800	110	2.3	0.23	7	0.69	2.6	3	23
SG-555123000-30K	12	≤140	100	≤800	73	3.5	0.34	11	1.08	2.6	3	23
SG-555123000-60K	12	≤140	50	≤800	36	6.3	0.62	19	1.86	2.3	4	26
SG-5551223000-90K	12	≤140	33	≤800	24	9.5	0.93	30	2.94	2.3	4	26
SG-555123000-180K	12	≤140	16	≤340	12	10	0.98	30	2.94	1.2	5	28
SG-555123000-270K	12	≤140	11	≤2520	8	10	0.98	30	2.94	0.8	5	28
Packing Details	CTN size: 28X26XH22.5CM 40pcs/CTN N.W. 14Kgs											