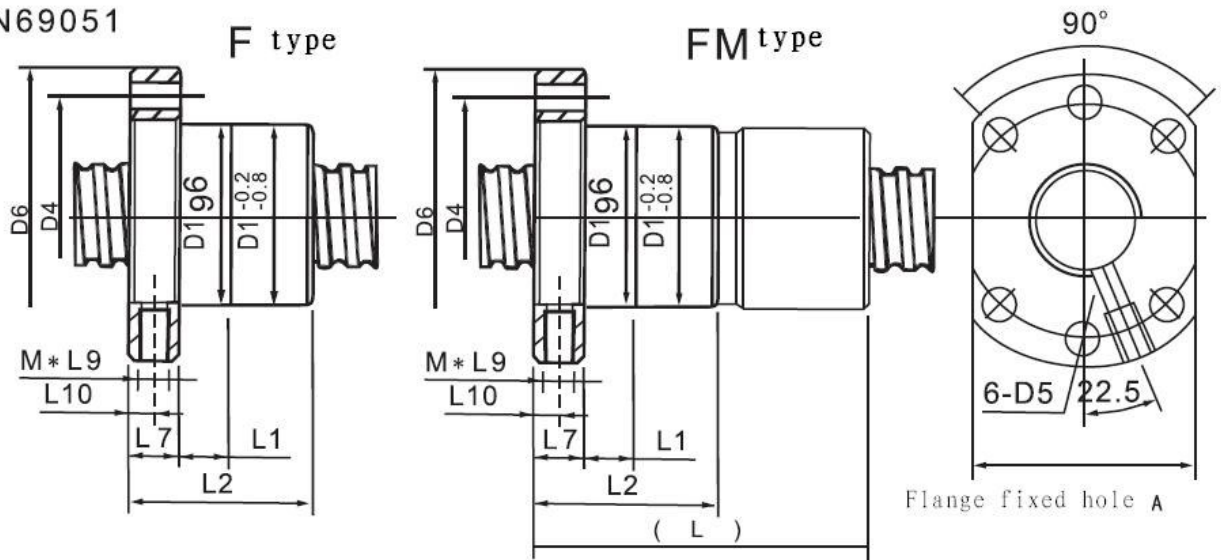


Type :DIN69051



Model	Nominal Dia	Lead	Fixed hole	Ball Dia	Ball screw nut mounting dimensions (mm)											ball turns	动额定负荷Ca KN	静额定负荷Co KN	Rigidity KN/μm		
					D1	D4	D5	D6	L	L1	L2	L7	L8	L9	L10				M	F	FM
					DVF-1604	16	4	A	2.381	28	38	5.5	48	72	10				38	10	40
DVF-1605	16	5	A	3.175	28	38	5.5	48	82	10	42	10	40	10	5	M6	3	7.65	13.2	230	460
DVF-2004	20	4	A	2.381	36	47	6.6	58	72	10	38	10	44	10	5	M6	3	5.3	12	220	440
DVF-2005	20	5	A	3.175	36	47	6.6	58	82	10	42	10	44	10	5	M6	3	8.6	17.1	240	480
DVF-2505	25	5	A	3.175	40	51	6.6	62	82	10	42	10	48	10	5	M6	3	9.8	23	260	520
DVF-3205	32	5	A	3.175	50	65	9	80	111	10	55	12	62	10	6	M6	5	16.9	51	520	1040
DVF-4005	40	5	B	3.175	63	78	9	93	108	10	57	14	70	10	7	M6	5	19	66.2	620	1240
DVF-4010	40	10	B	6.350	63	78	9	93	137	16	71	14	70	10	7	M8*1	3	30.1	71	420	840
DVF-1204	12	4	A	2.381	22	32	4.8	42	69	10	35	8	36	10	4	M6	3	4	6.7	200	400
DVF-1610	16	10	A	3.000	28	38	5.5	48	/	10	55	10	40	10	5	M6	3	6.8	12.6	215	/
DVF-2504	25	4	A	2.381	40	51	6.6	62	72	10	38	10	48	10	5	M6	3	6.1	16.3	250	500
DVF-3204	32	4	A	2.381	50	65	9	80	72	10	38	12	62	10	6	M6	3	6.8	20.4	420	840
DVF-3210	32	10	A	6.350	53	65	9	80	135	16	69	12	62	10	6	M8*1	3	26.1	53.1	340	680
DVF-5010	50	10	B	6.350	75	93	11	110	186	16	95	16	85	10	8	M8*1	5	53.1	155	815	630
DVF-6310	63	10	B	6.350	90	108	11	125	188	16	97	18	95	10	9	M8*1	5	60.7	206	1000	2000
DVF-8010	80	10	B	6.350	105	125	14	145	192	16	101	22	110	10	11	M8*1	5	66.6	265	2000	4000
DVF-2510	25	10	A	4.763	40	51	6.6	62	90	10	46	10	48	10	5	M6	3	20	45	300	580
DVF-2010	20	10	A	4.763	36	47	6.6	58	90	10	46	10	44	10	5	M6	3	15	25	280	530
DVF-1404	14	4	A	2.381	26	36	5.5	46	72	10	36	10	38	10	5	M6	3	4.2	8	205	410
DVF-1405	14	5	A	3.175	26	36	5.5	46	72	10	36	10	38	10	5	M6	3	4.3	8.2	207	415