

Hybrid Stepping Motor

Rev:A

Date:20100805

Type:39HZ34610

COMMON RATINGS

Step angle: 1.8°

Positional accuracy: ± 5%

Number of Phase: 2

Temperature rise: 80°C MAX

Inertia: g.cm²

Dielectric strength:500VAC

Insulation resistance:100Mohm(500VDC)

Radial play:

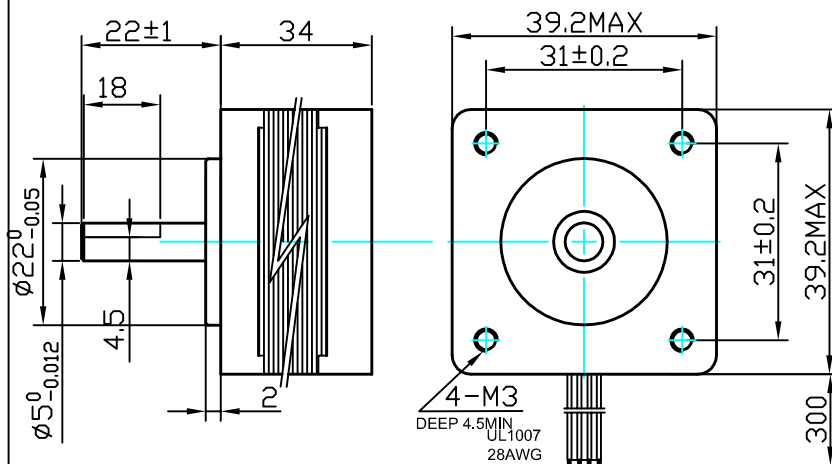
Insulation class:B

Weight: 0.18 kg

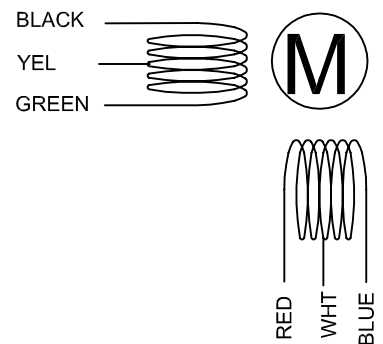
SPECIFICATIONS

Holding torque (2 phases on) kg.cm	Rated Current/Phase (Amps DC)	Phase Resistance (ohms) ± 10%	Voltage Current/Phase (V DC)	Phase Inductance (mH) ± 20%(1KHz) Typicat
1.6	0.95	4.2	4.0	2.75

DIMENSIONS unit=mm



CONNECTIONS



						39HZ34610			SPEC		
标记	处数	分区	更改文件号	签名	日期				Zhongzhi		
设计			标准化			阶段	标记	重量	比例		
审核										ZHONGZHITAO	
工艺			批准			共	张	第	张		