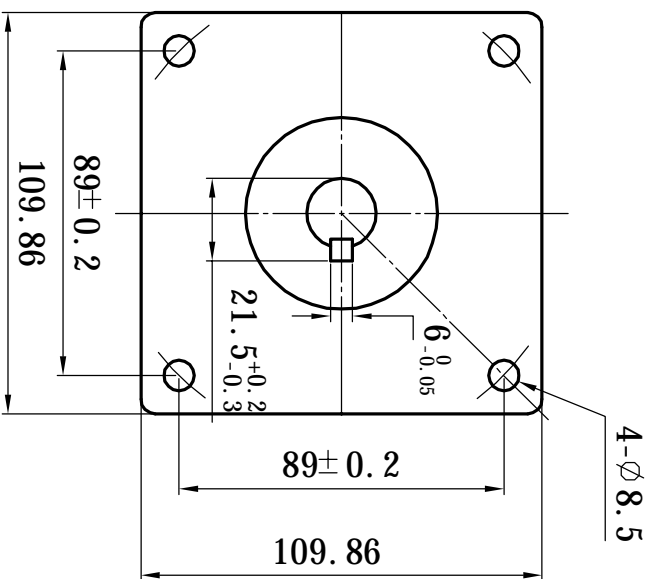
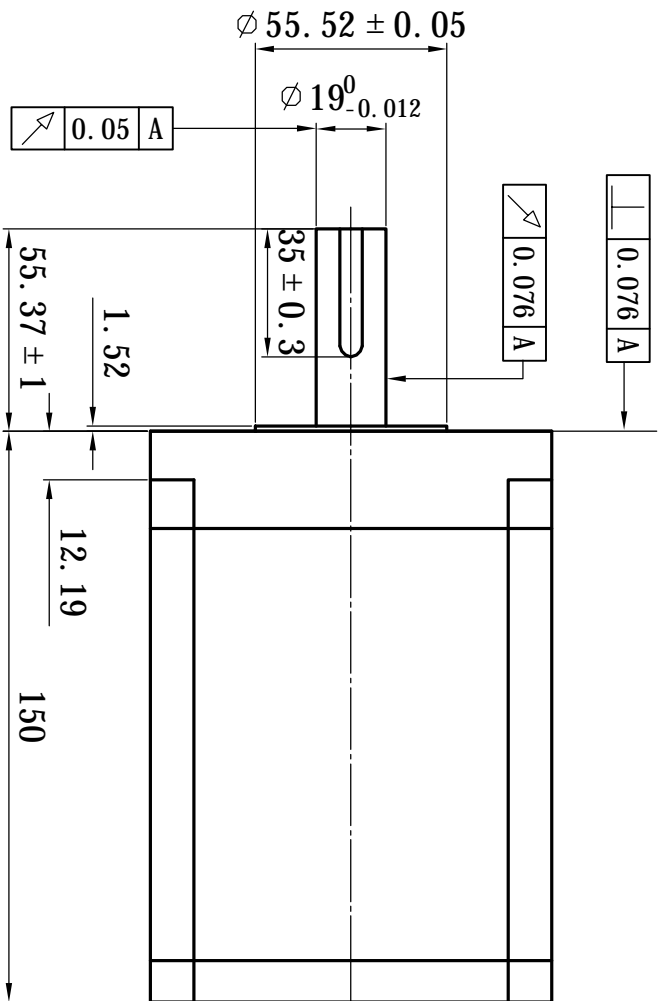
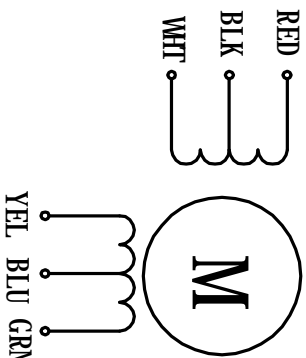


Dimension:



Wiring Diagram



UL1332 AWG18# LENGTH310mm

Specifications:

Phase	Step Angle	Current	Resistance	Inductance	Holding Torque	Rotor Inertia	Weight
4	1.8	A	ohms	mH	N.m	gcm ²	Kg
		3.25	2.88	51.2	21	10900	8.4
		4.6	1.44	12.8	14.8		

REV/ECH	NO.	DESCRIPTION	DRN	APP'D	DATE	DESIGN	DATE	P/N
UNLESS OTHERWISE SPECIFIED								
TOLERANCES:								
DECIMALS:			ANGULAR:					
.X			±0.5			±0°30'		
.XX			±0.25					
.XXX			±0.1					
UNIT: mm								
DO NOT SCALE DRAWING								
MATERIAL			CHECK			TITLE		
THIRD ANGLE PROJECTION			SCALE			SPECIFICATIONS		
SHEET			DF			USED ON		
						110HZ150-210(G)		
						DWG NO.		
						FX3162 SS		
						REV		