

AR1201 Series

Features

- 120A switching capability (1C)
- Coil voltage: 6~380V AC, 6~220VDC
- Mounting type: DIN rail, screw-mounting



► CONTACT DATA

Contact arrangement	1C
Contact Resistance	≤100mΩ (1A 24 VDC)
Contact material	Silver Alloy
Contact rating(Res.load)	120A/28VDC, 120A/240VAC
Max.switching power	2240W/20000VAC
Max.switching voltage	30VDC/286VAC
Max.switching current	120A
Mechanical endurance	1×10 ⁵ OPS
Electrical endurance	5×10 ⁴ OPS

► CHARACTERISTICS

Insulation resistance	100MΩ (500VDC)	
Dielectric strenght	Between coil & contacts	2500VAC 1 min
	Between open contacts	1500VAC 1min
Operate time(at nomi.volt)	25ms max.	
Release time(at nomi.volt)	25ms max.	
Shock resistance	Functional	98m/s ²
	Destructive	980m/s ²
Vibration resistance	50Hz~60Hz 1mm DA	
Humidity	98% RH, 40℃	
Ambient temperature	-25℃ ~55℃	
Termination	Screw	
Unit weight	Approx.255g	
Construction	DIN rail, Screw terminal type	

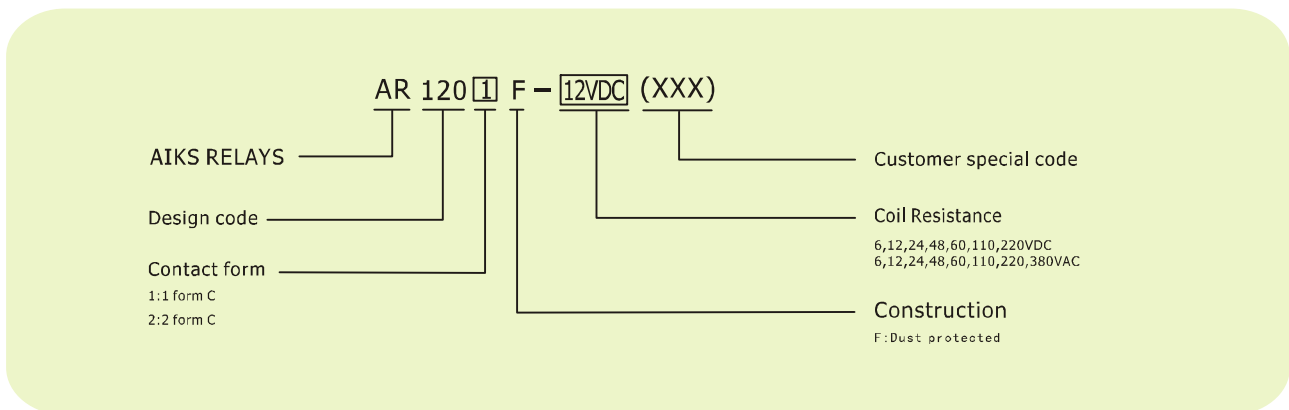
► COIL DATA

Coil power	VDC: 3W(Approx): VAC: 10VA(Approx)
------------	------------------------------------

Nominal Voltage VDC	Pick-up Voltage VDC	Drop-out Voltage VDC	Max.Allowable Voltage VDC at 85°C	Coil Resistance Ω
6	4.5	0.60	6.6	18 × (1 ± 10%)
12	9.0	1.20	13.2	72 × (1 ± 10%)
24	18.0	2.40	26.4	290 × (1 ± 10%)
48	36.0	4.80	52.8	1150 × (1 ± 10%)
60	45.0	6.0	66.0	1800 × (1 ± 10%)
110	82.5	11.0	121.0	6050 × (1 ± 10%)
220	165.0	22.0	242.0	24200 × (1 ± 10%)

Nominal Voltage VDC	Pick-up Voltage VDC	Drop-out Voltage VDC	Max.Allowable Voltage VDC at 85°C	Coil Resistance Ω
6	4.80	0.6	6.6	11.6 × (1 ± 10%)
12	9.60	1.2	13.2	47 × (1 ± 10%)
24	19.2	2.4	26.4	190 × (1 ± 10%)
48	38.4	4.8	52.8	750 × (1 ± 10%)
60	48.0	6.6	66.0	1170 × (1 ± 10%)
110	88.0	11.0	121.0	3920 × (1 ± 10%)
220	176.0	22.0	242.0	15680 × (1 ± 10%)
380	304.0	38.0	418.0	46800 × (1 ± 10%)

► MODEL DESCRIPTION



▶ **OUTLINE DIMENSIONS, WIRING DIAGRAM AND PC BOARD LAYOUT** Unit: mm

Outline Dimensions

PC BOARD LAYOUT

WIRING DIAGRAM

AR 1201

